

Fig	Grade	Pos	Remarks
1	.		
2	.		
3	.		
4	.		
5	.		
6	.		
7	.		
8	.		

Positioning	.
-------------	---

Too Low		Trg Violation	
Too High		Wing Rocks	
Interruptions		Disqual Fig	
Insertions		Other(note...)	

Fig 1	K	Fig 2	K	Fig 3	K	Fig 4	K	Fig 5	K	Fig 6	K	Fig 7	K	Fig 8	K
5.3.1.1	18	7.2.2.1	6	8.6.4.3	13	7.3.3.3	14	5.2.1.1	17	8.4.1.1	13	8.5.6.1	10	1.1.2.1	7
		9.1.3.2	4	9.11.1.4	5	9.1.4.2	4					9.4.4.2	5		
				9.1.3.2	4										
	18		10		22		18		17		13		15		7

Pilot:

A/C:

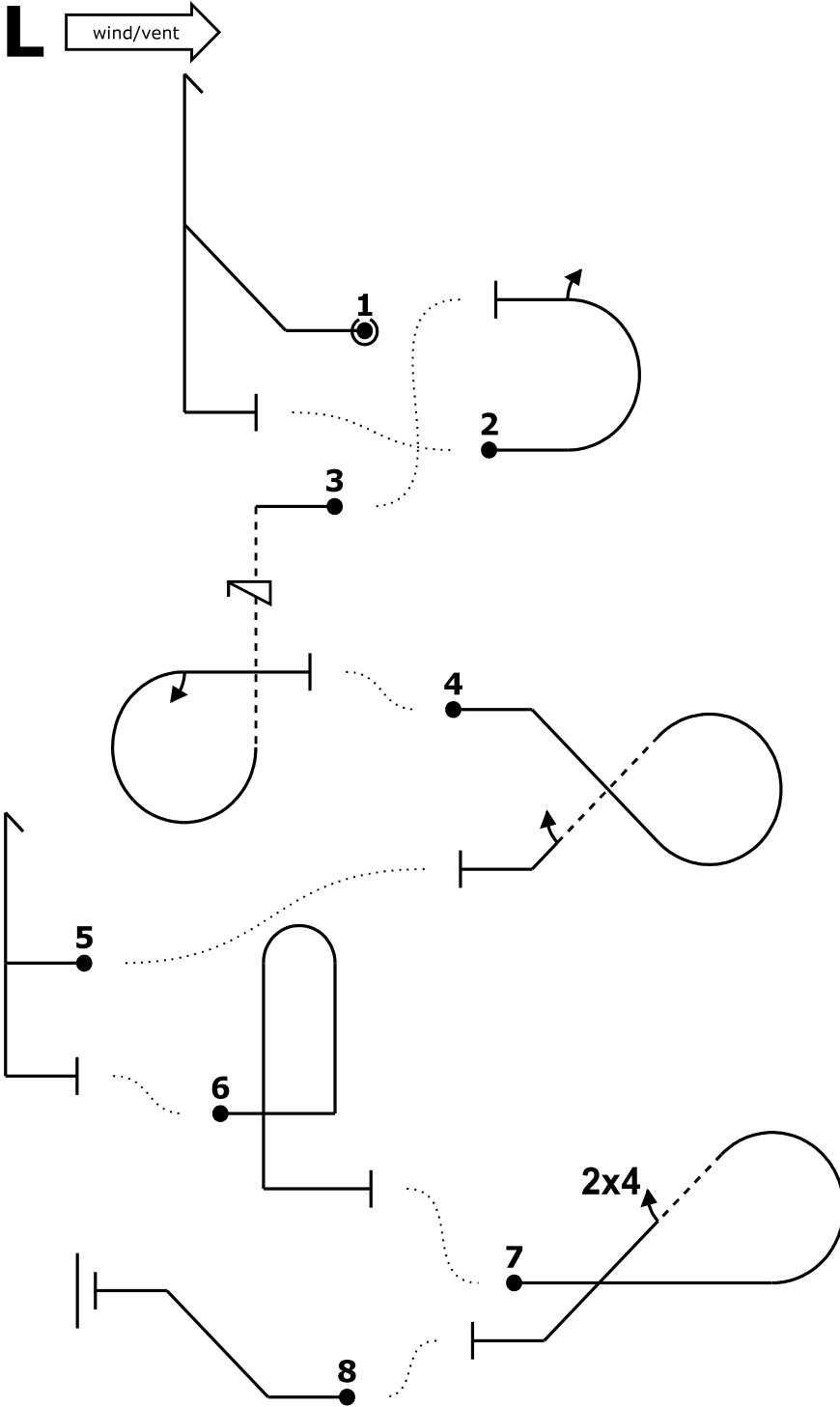


Fig	Grade	Pos	Remarks
1	.		
2	.		
3	.		
4	.		
5	.		
6	.		
7	.		
8	.		

Positioning

Too Low	<input type="checkbox"/>	Trg Violation	<input type="checkbox"/>
Too High	<input type="checkbox"/>	Wing Rocks	<input type="checkbox"/>
Interruptions	<input type="checkbox"/>	Disqual Fig	<input type="checkbox"/>
Insertions	<input type="checkbox"/>	Other(note...)	<input type="checkbox"/>

Fig 1	K	Fig 2	K	Fig 3	K	Fig 4	K	Fig 5	K	Fig 6	K	Fig 7	K	Fig 8	K
5.3.1.1	18	7.2.2.1	6	8.6.4.3	13	7.3.3.3	14	5.2.1.1	17	8.4.1.1	13	8.5.6.1	10	1.1.2.1	7
		9.1.3.2	4	9.11.1.4	5	9.1.4.2	4					9.4.4.2	5		
	18		10	9.1.3.2	4		18		13		15				

Pilot:

A/C:

