

Fig	Grade	Pos	Remarks
1	.		
2	.		
3	.		
4	.		
5	.		
6	.		

Positioning  
15

Too Low		Trg Violation	
Too High		Wing Rocks	
Interruptions		Disqual Fig	
Insertions		Other(note...)	

Fig 1	K	Fig 2	K	Fig 3	K	Fig 4	K	Fig 5	K	Fig 6	K
1.1.6.3	10	7.4.1.1	10	5.2.1.1	17	1.1.1.1	2	2.2.1.1	4	2.3.1.1	5
9.11.1.6	3					9.1.3.4	8				
	<b>13</b>		<b>10</b>		<b>17</b>		<b>10</b>		<b>4</b>		<b>5</b>

Pilot:

A/C:

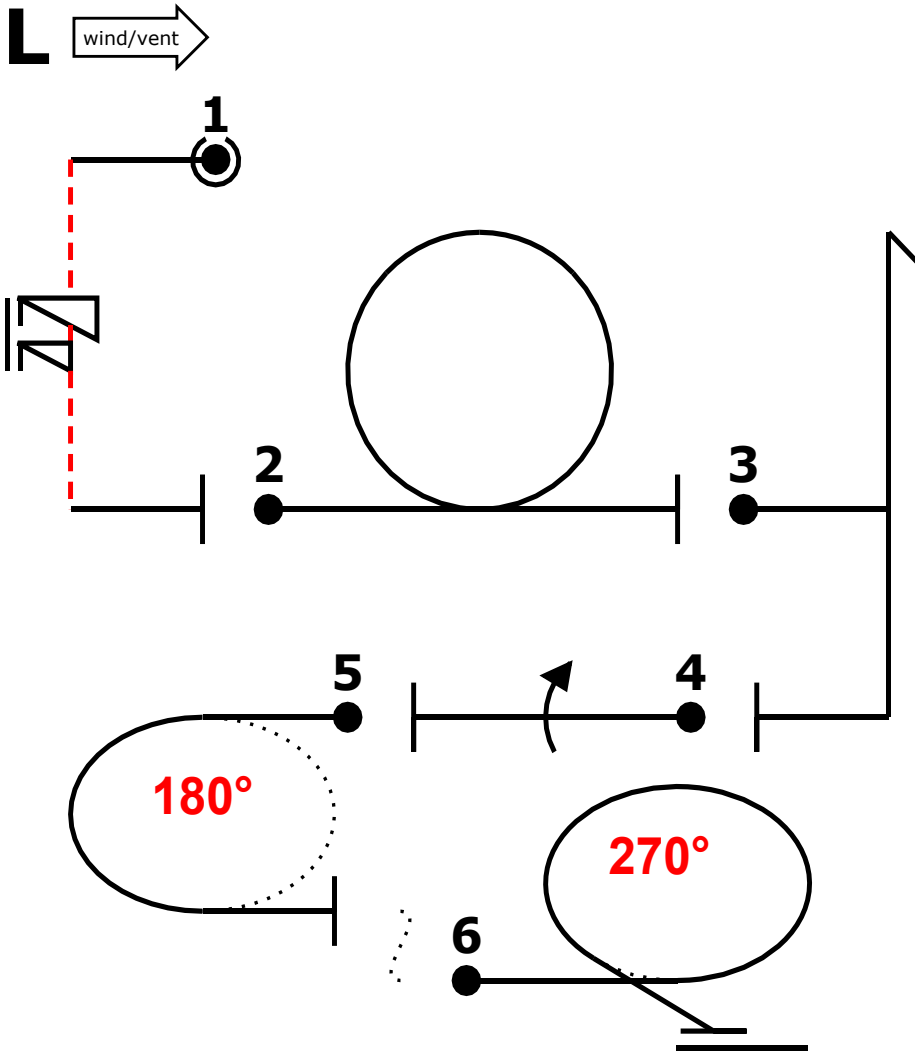


Fig	Grade	Pos	Remarks
1	.		
2	.		
3	.		
4	.		
5	.		
6	.		

Positioning  
15 .

Too Low		Trg Violation	
Too High		Wing Rocks	
Interruptions		Disqual Fig	
Insertions		Other(note...)	

Fig	K	Fig	K	Fig	K	Fig	K	Fig	K
1.1.6.3	10	7.4.1.1	10	5.2.1.1	17	1.1.1.1	2	2.2.1.1	4
9.11.1.6	3					9.1.3.4	8		
	13		10		17		10		5

Pilot:

A/C: